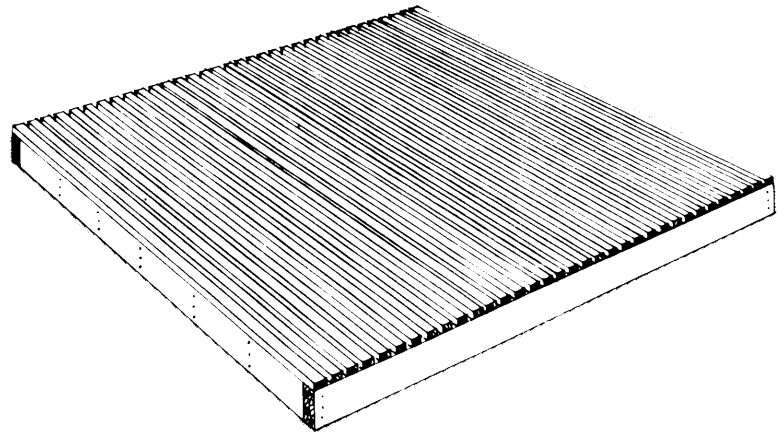
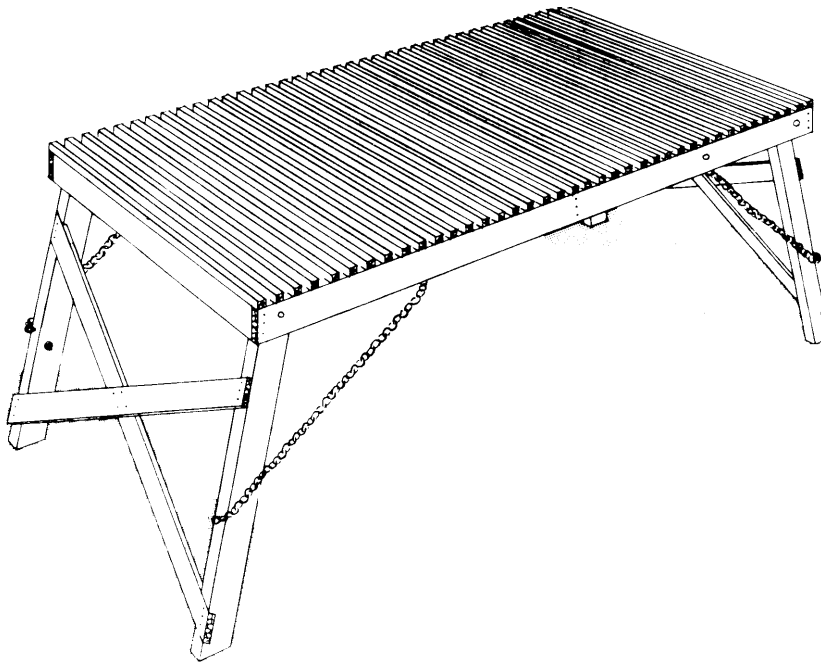




## SHEARING FLOOR AND FLEECE-SORTING TABLE



The Canada Plan Service prepares detailed plans showing how to construct r-modern farm huii jir \_: livestock housing systems, storages and equipment for Canadian Agriculture.

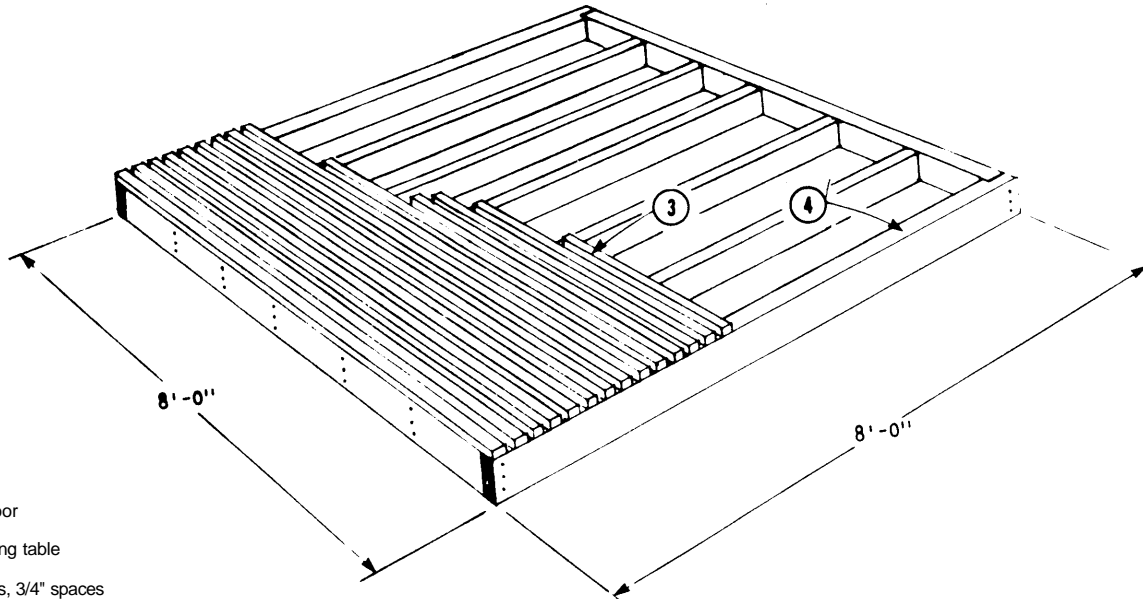
This leaflet gives the details for a farm building component or piece of farmstead equipment. To obtain another copy of this leaflet, contact your local provincial agricultural engineer or extension advisor.

# SHEARING FLOOR AND FLEECE-SORTING TABLE

PLAN 4552 NEW 9:75

Here are two items of equipment for the annual shearing operation. The slotted shearing floor panels keep the wool

from becoming soiled during shearing. The same panels may be used also to floor the catch pens where sheep are grouped ready for shearing (see Leaflet 4511, Shearing Facilities). The fleece-sorting table provides a work surface at a comfortable height for sorting and packing wool, and it helps to separate straw and dirt from the fleece. Fold the table legs for storage when not in use.



- 1. shearing floor
- 2. fleece-sorting table
- 3. 1" x 2" slats, 3/4" spaces
- 4. 2" x 4" frame, spaced 16" o.c.
- 5. 2" x 4" frame
- 6. 1" x 4" brace
- 7. light weight galvanized steel chain
- 8. 1/4" x 4" machine bolt & washer (4 req'd)
- 9. 2" x 4" leg
- 10. 3/4" x 1" slats, 1 1/2" spaces

